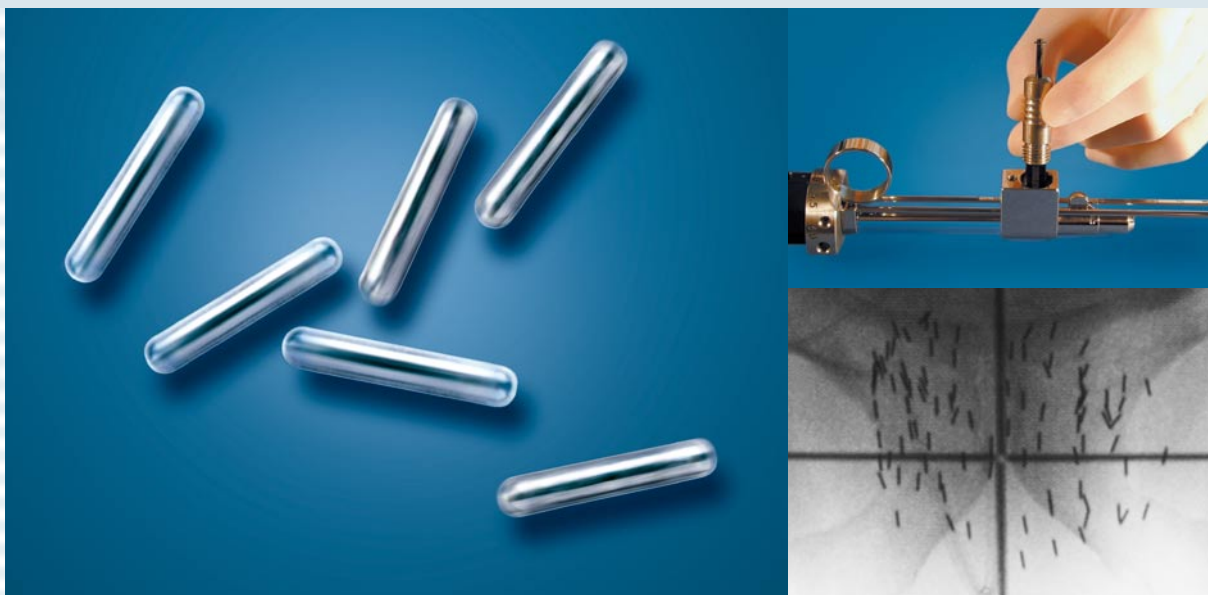


IsoSeed® I-125

Competence in Prostate Seed Implantation



IBt Bebig is your competent partner for seed implantation. We provide optimal seeds for both X-ray based and ultrasound based seed placement. BEBIG seed products stand for excellent visibility with highest quality.

■ Excellent Visibility

IsoSeed® I25.S17 is optimised for high-contrast X-ray imaging using a full size metal marker. Moreover, I25.S17 seeds can be clearly identified in MR images. This opens new perspectives for post planning.

IsoSeed® I25.S06 contains a gold marker in order to provide superior, artefact free visibility of the seed in CT imaging. Both seeds can be very clearly seen on ultrasound images.

■ Highest Quality

To provide the highest possible quality, our production is fully automated and follows strict quality standards. Every single IsoSeed® has to pass strict quality checks at every production stage.

■ Calibration to NIST

The certified source strength is calibrated in air kerma strength traceable to the primary $S_{K,N99}$ standard of the NIST (National Institute of Standards and Technology).

■ Guaranteed Bio Compatibility

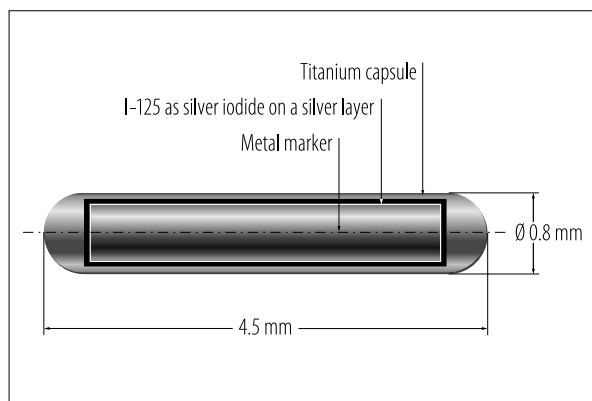
The Titanium capsule of IsoSeed® meets ASTM F67-95 specifications. During the welding process no additives are used. Therefore full bio compatibility is guaranteed.

■ Competent partner for seed implantation

We process orders quickly and reliably and are also always available for our customers for all questions concerning seed implantation.

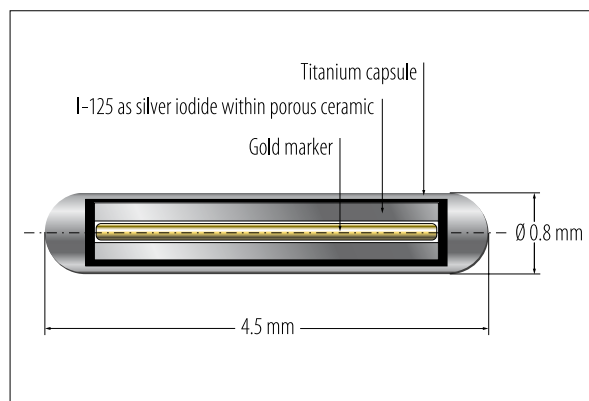
IsoSeed® I-125

■ IsoSeed® I25.S17 Details



■ Optimised for X-ray, ultrasound and MR visibility

■ IsoSeed® I25.S06 Details



■ Optimised for ultrasound visibility and CT artefact freedom

■ Packaging and Ordering



I25.S17-SM and I25.S06-SM



I25.S17-SL and I25.S06-SL

- IsoSeed® is available as loose seeds or loaded in Mick® Magazines.
- To ensure your safety, our seeds are supplied in a shielded stainless steel container.
- Ordering number for seeds loaded in Mick® Magazine: I25.S17-SM and I25.S06-SM
- Ordering number for loose seeds: I25.S17-SL and I25.S06-SL

■ Activities Available

Class number	Air kerma in $\mu\text{Gy m}^2/\text{h}$	Apparent activity in mCi	Apparent activity in MBq
1	0.357-0.386	0.281-0.304	10.38-11.26
2	0.387-0.419	0.305-0.330	11.27-12.21
3	0.420-0.455	0.331-0.358	12.22-13.25
4	0.456-0.493	0.359-0.388	13.26-14.38
5	0.494-0.535	0.389-0.421	14.39-15.61
6	0.536-0.581	0.422-0.457	15.62-16.94
7	0.582-0.630	0.458-0.496	16.95-18.38
8	0.631-0.684	0.497-0.539	18.39-19.94
9	0.685-0.742	0.540-0.584	19.95-21.64
10	0.743-0.806	0.585-0.634	21.65-23.48
11	0.807-0.874	0.635-0.688	23.49-25.48
12	0.875-0.949	0.689-0.747	25.49-27.65
13	0.950-1.029	0.748-0.811	27.66-30.00
14	1.030-1.117	0.812-0.880	30.01-32.56

Other activities are available on request.

The activity of IsoSeed® decreases by one class every week. Reference day for the certified apparent activity is always a Monday.

IBt Bebig

Belgium

Zone Industrielle C
7180 Seneffe
Telephone +32 (0) 64 52 08 20
Telefax +32 (0) 64 52 08 21

Germany

Robert-Rössle-Strasse 10
13125 Berlin
Telephone +49 (0) 30 94 10 84-130
Telefax +49 (0) 30 94 10 84-112