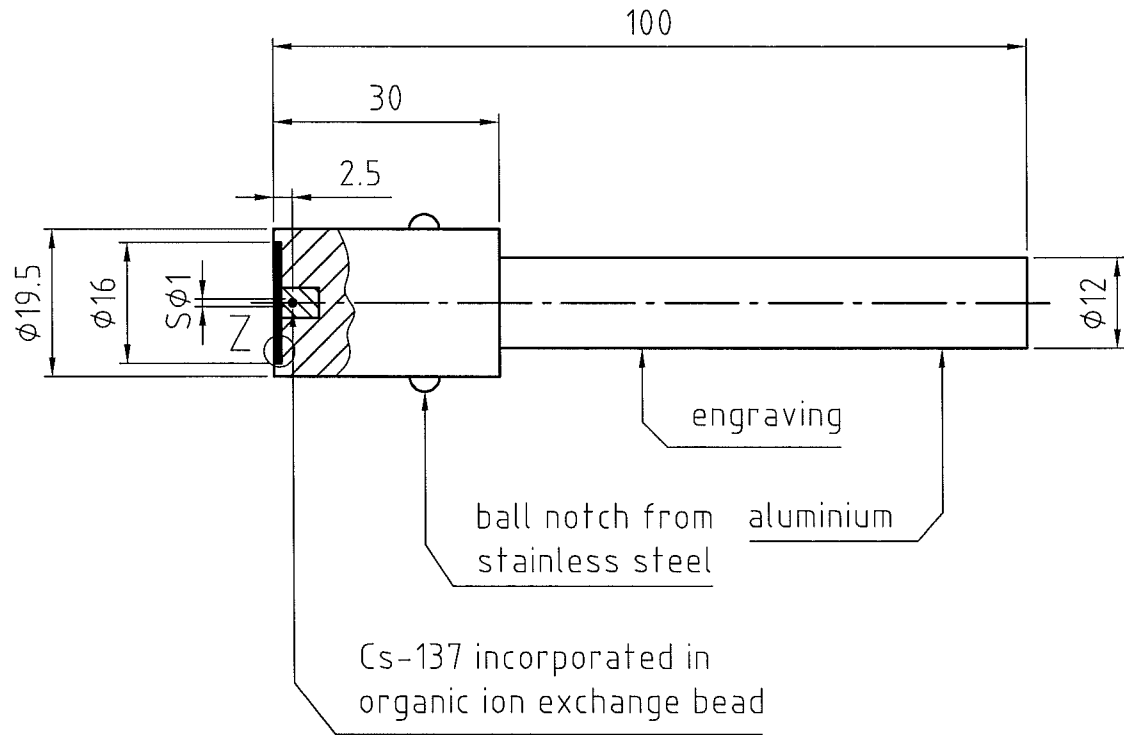
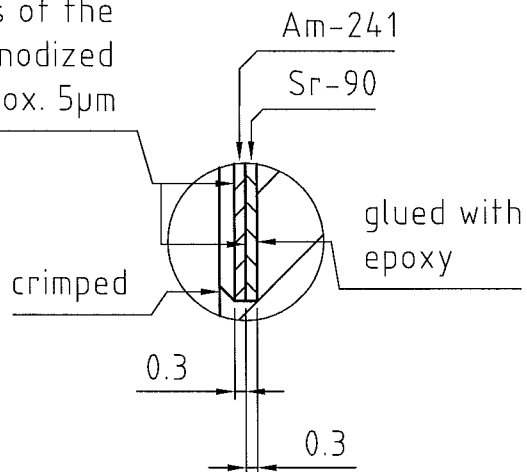


Z 5:1

anodized aluminium foil thickness of the activated anodized layer approx. 5µm



Cs-137; Sr-90; Am-241				DIN ISO 2768 f m e		Surface		Scale 1:1	
								stainless steel aluminium, plastic	
				Date		Name		CHECK SOURCE	
				Drawn 17.06.2009		DStapper			
				Appr.		<i>[Signature]</i>			
C firm logo 17.06.2009 DST				Eckert & Ziegler		Nuclitec		VZ-1444-001	
A firm logo 18.07.2007 ThD									
Issue	Change	Date	Name	EDV No.	public\exchange\Zeichnungen\1251-1500\VerkaufsZeichnung\VZ1444E.dwg				
The contents of this drawing and its enclosures are our property. The drawing and its enclosures may not be duplicated without our written approval nor be made accessible to any third party. Any unauthorised usage is unlawful and will be prosecuted. Copyright reserved.									
								Page 1	1 pag.