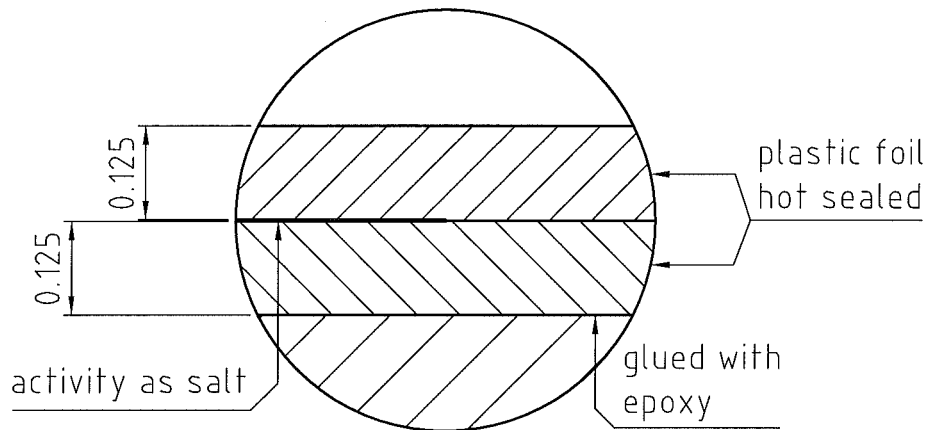



Z 100:1



various nuclides				DIN ISO 2768 X m x		Surface	Scale 2:1	aluminium		
				Date	Name	<p style="text-align: center;">GAMMA REFERENCE SOURCE</p>				
				Drawn	08.06.2010					DStapper
				Appr.						<i>[Signature]</i>
				 Eckert & Ziegler Nuclitec		VZ-2044-001		Page 1 1 pag.		
E	firm logo	08.06.2010	DST	EDV No.	\exchange\Zeichnungen\2001-2250\Verkaufszeichnung\VZ2044A.dwg					
Issue	Change	Date	Name							

The contents of this drawing and its enclosures are our property. The drawing and its enclosures may not be duplicated without our written approval nor be made accessible to any third party. Any unauthorised usage is unlawful and will be prosecuted. Copyright reserved.