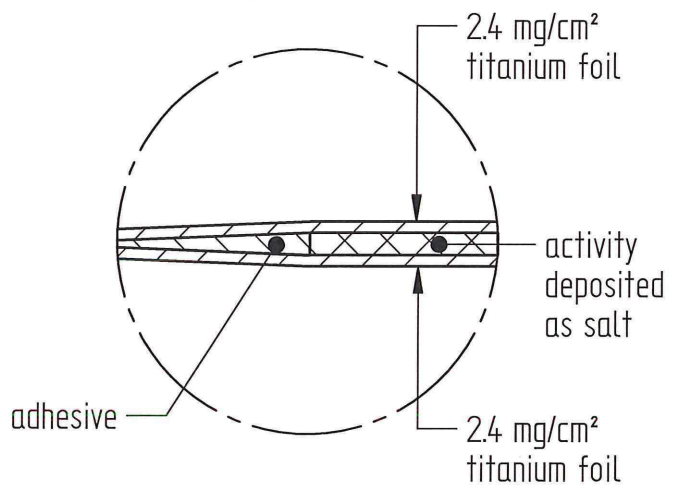


1:1

detail A



Scale 3:1	Tolerance ISO 2768-m	Surface	Material aluminium
--------------	-------------------------	---------	-----------------------

Nuclide	Document Verkaufszeichnung	Responsible Dept. isotrak	Drawn DStapper	Creation Date 17.05.2018	Approval <i>[Signature]</i>
---------	-------------------------------	------------------------------	-------------------	-----------------------------	--------------------------------

 <b>Eckert &amp; Ziegler</b>	<b>CONVERSION ELECTRON SOURCE</b>		<b>VZ-0392-001</b>		
	Rev. C	Issue Date <i>10-05-18</i>	Sheet 1/1		

EDV No.: \\vaeant6.aea-germany.local\data2\QSAProduction\public\exchange\Zeichnungen\0251-0500\VerkaufsZeichnung\VZ-0392-001C.dft

The contents of this drawing and its enclosures are our property. The drawing and its enclosures may not be duplicated without our written approval not be made accessible to any third party. And unauthorised usage is unlawful and will be prosecuted.