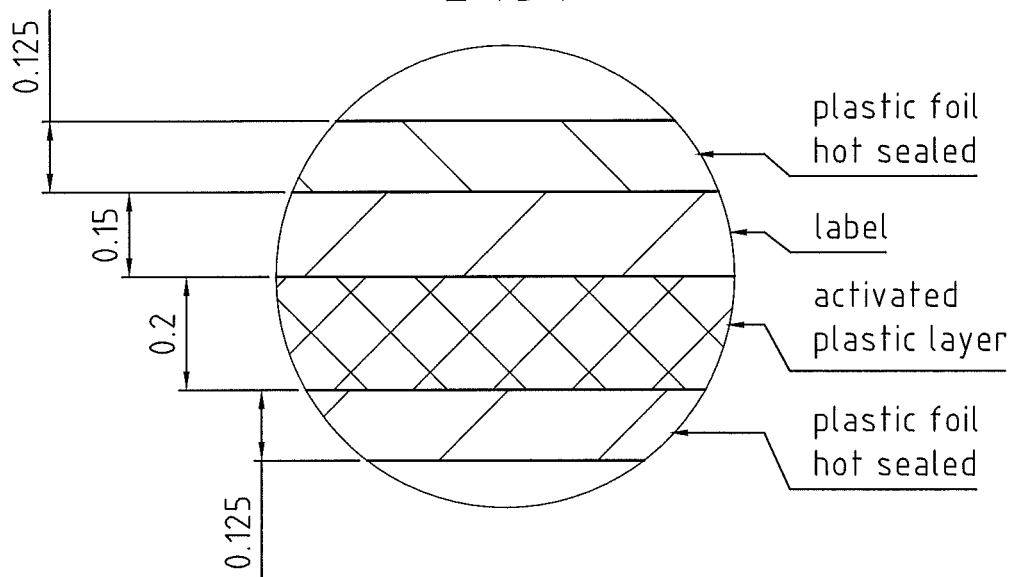



Z 75:1



various nuclides		DIN ISO 2768 f m c		Surface	Scale 2:1	plastic
			Date	Name	<b>GAMMA</b> <b>REFERENCE SOURCE</b>	
		Drawn	24.09.2009	DStapper		
		Appr.		<i>[Signature]</i>		
		 <b>Eckert &amp; Ziegler</b> Nuclitec		<b>VZ-1311-001</b>		Page 1
Issue	Change	Date	Name	EDV No.	1 pag.	

The contents of this drawing and its enclosures are our property. The drawing and its enclosures may not be duplicated without our written approval nor be made accessible to any third party. Any unauthorised usage is unlawful and will be prosecuted. Copyright reserved.